

No-13, NEIWA 7-75 (PTY)



PT. NAYATI INDONESIA
 Jl. Terboyo no.15, Kawasan Industri Terboyo Megah Semarang 50112,
 Central Java - Indonesia
 Phone : (+624) 658 0573, Fax : (+624) 658 0572
 Email : nayati@nayati.com



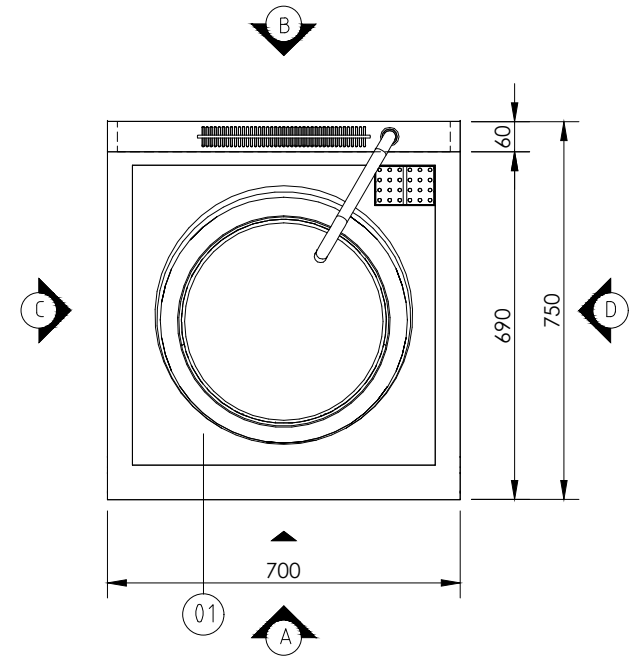
this drawing remains the property of
 Design Solution PT. Nayati Indonesia
 may not be copied, photocopied or reproduce
 in any form whatever without permission

- APPROVED
- APPROVED WITH COMMENTS
RESUBMIT NOT REQUIRED
- NOT APPROVED
RESUBMIT AS REQUIRED

APPROVED BY :

NAME :
 (CUSTOMER / CONSULTANT)

DATE :



▲ Operation area

PLAN

PROJECT TITLE

DRAWING TITLE

Cooking Block

LOCATION / AREA	LEVEL
Kitchen Area	
SALES IN CHARGE	DATE
DRAWN BY RWP	DATE 13.02.2021
VERIFIED BY	DATE
APPROVED BY RWD	DATE
APPROVED BY	DATE

DRAWING NO.	SCALE
	A4 1:15

REVISION			
NO.	DATE	SUBJECT	DRAWN
01	03-08-21	Revision 01	RWP

REMARKS :

PROJECT	AREA	DWG TYPE	REVISION



this drawing remains the property of
 Design Solution PT. Nayati Indonesia
 may not be copied, photocopied or reproduce
 in any form whatever without permission

- APPROVED
- APPROVED WITH COMMENTS
RESUBMIT NOT REQUIRED
- NOT APPROVED
RESUBMIT AS REQUIRED

APPROVED BY :

NAME :
 (CUSTOMER / CONSULTANT)

DATE :

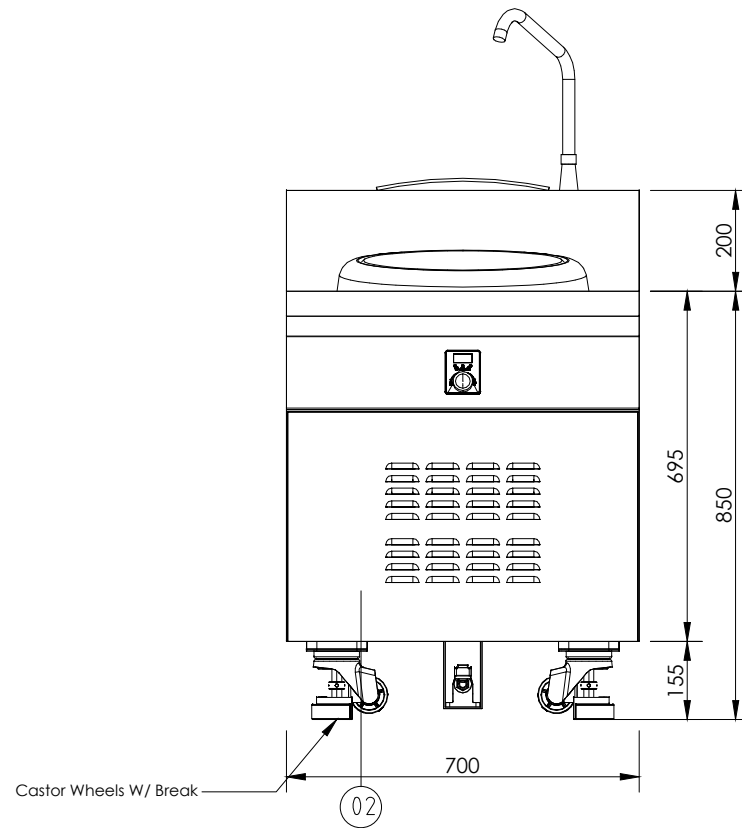
ITEM LIST KITCHEN BLOCK TOP MODULE		POWER	COOKING ZONE
01. Electric Induction Wok	EIW 6-75	5 kW/ 230 V/ 1 Ph/ 50-60 Hz	Ø400mm
02. Closed Panel 700 W/ Holes For ME	-	-	-

ACCESSORIES ITEM LIST :

1. Seamless top 3 mm
2. Tower Faucet For Wok
3. 1 x Single Pedal Valve
5. 4 x Wheels W/ Break

PROJECT TITLE			
DRAWING TITLE			
Cooking Block			
LOCATION / AREA		LEVEL	
Kitchen Area			
SALES IN CHARGE		DATE	
DRAWN BY RWP		DATE 13.02.2021	
VERIFIED BY		DATE	
APPROVED BY RWD		DATE	
APPROVED BY		DATE	
DRAWING NO.		SCALE	
		A4 1:15	
REVISION			
NO.	DATE	SUBJECT	DRAWN
01	03-08-21	Revision 01	RWP
02	27-08-21	Revision 02	RWP
REMARKS :			
PROJECT	AREA	DWG TYPE	REVISION

No-13, NEIWA 7-75 (PTY)



ELEVATION A



PT. NAYATI INDONESIA

Jl. Terboyo no.15, Kawasan Industri Terboyo Megah Semarang 50112,
Central Java - Indonesia
Phone : (6224) 658 0573, Fax : (6224) 658 0572
Email : nayati@nayati.com



this drawing remains the property of
Design Solution PT. Nayati Indonesia
may not be copied, photocopied or reproduce
in any form whatever without permission

APPROVED

APPROVED WITH COMMENTS
RESUBMIT NOT REQUIRED

NOT APPROVED
RESUBMIT AS REQUIRED

APPROVED BY :

NAME :
(CUSTOMER / CONSULTANT)

DATE :

PROJECT TITLE

DRAWING TITLE

Cooking Block

LOCATION / AREA	LEVEL
Kitchen Area	
SALES IN CHARGE	DATE
DRAWN BY RWP	DATE 13.02.2021
VERIFIED BY	DATE
APPROVED BY RWD	DATE
APPROVED BY	DATE

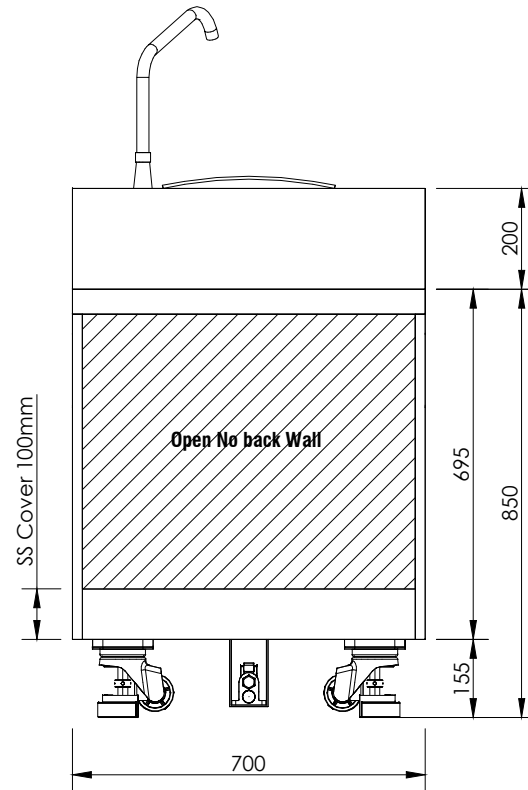
DRAWING NO.	SCALE
	A4 1:15

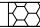
REVISION			
NO.	DATE	SUBJECT	DRAWN
01	03-08-21	Revision 01	RWP
02	27-08-21	Revision 02	RWP

REMARKS :

PROJECT	AREA	DWG TYPE	REVISION

No-13, NEIWA 7-75 (PTY)



ELEVATION B 



PT. NAYATI INDONESIA

Jl. Terboyo no.15, Kawasan Industri Terboyo Megah Semarang 50112,
Central Java - Indonesia
Phone : (6224) 658 0573, Fax : (6224) 658 0572
Email : nayati@nayati.com



this drawing remains the property of
Design Solution PT. Nayati Indonesia
may not be copied, photocopied or reproduce
in any form whatever without permission

- APPROVED
- APPROVED WITH COMMENTS
RESUBMIT NOT REQUIRED
- NOT APPROVED
RESUBMIT AS REQUIRED

APPROVED BY :
NAME :
(CUSTOMER / CONSULTANT)
DATE :

PROJECT TITLE

DRAWING TITLE
Cooking Block

LOCATION / AREA	LEVEL
Kitchen Area	

SALES IN CHARGE _____ DATE _____

DRAWN BY RWP DATE 13.02.2021

VERIFIED BY _____ DATE _____

APPROVED BY RWD DATE _____

APPROVED BY _____ DATE _____

DRAWING NO.	SCALE
	A4 1:15

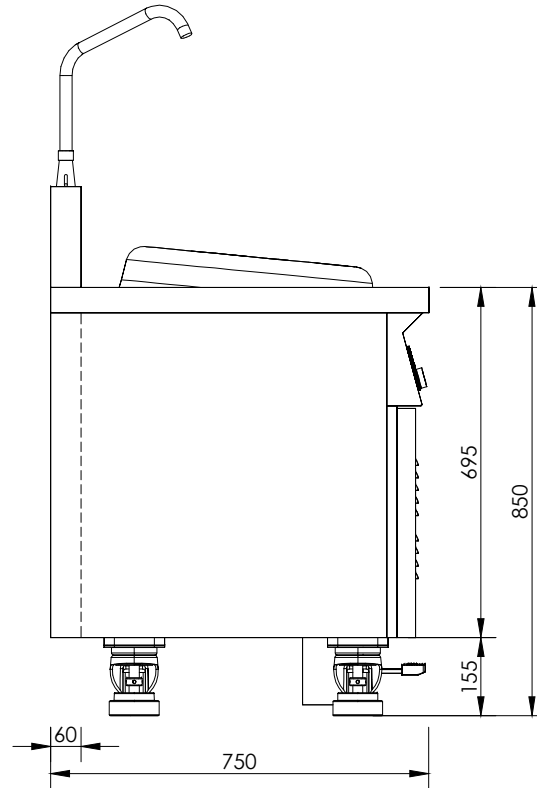
REVISION

NO.	DATE	SUBJECT	DRAWN
01	03-08-21	Revision 01	RWP
02	27-08-21	Revision 02	RWP

REMARKS :

PROJECT	AREA	DWG TYPE	REVISION

No-13, NEIWA 7-75 (PTY)



ELEVATION C



PT. NAYATI INDONESIA
 Jl. Terboyo no.15, Kawasan Industri Terboyo Megah Semarang 50112,
 Central Java - Indonesia
 Phone : (6224) 658 0573, Fax : (6224) 658 0572
 Email : nayati@nayati.com



this drawing remains the property of
 Design Solution PT. Nayati Indonesia
 may not be copied, photocopied or reproduce
 in any form whatever without permission

- APPROVED
- APPROVED WITH COMMENTS
RESUBMIT NOT REQUIRED
- NOT APPROVED
RESUBMIT AS REQUIRED

APPROVED BY :

NAME :
 (CUSTOMER / CONSULTANT)

DATE :

PROJECT TITLE

DRAWING TITLE

Cooking Block

LOCATION / AREA	LEVEL
Kitchen Area	
SALES IN CHARGE	DATE
DRAWN BY RWP	DATE 13.02.2021
VERIFIED BY	DATE
APPROVED BY RWD	DATE
APPROVED BY	DATE

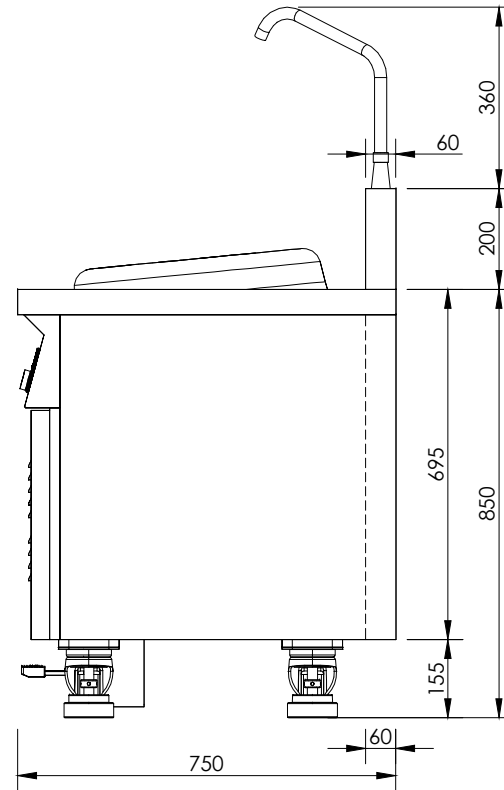
DRAWING NO.	SCALE
A4	1:15

REVISION			
NO.	DATE	SUBJECT	DRAWN
01	03-08-21	Revision 01	RWP
02	27-08-21	Revision 02	RWP

REMARKS :

PROJECT	AREA	DWG TYPE	REVISION

No-13, NEIWA 7-75 (PTY)



ELEVATION D



PT. NAYATI INDONESIA
 Jl. Terboyo no.15, Kawasan Industri Terboyo Megah Semarang 50112,
 Central Java - Indonesia
 Phone : (6224) 658 0573, Fax : (6224) 658 0572
 Email : nayati@nayati.com



this drawing remains the property of
 Design Solution PT. Nayati Indonesia
 may not be copied, photocopied or reproduce
 in any form whatever without permission

- APPROVED
- APPROVED WITH COMMENTS
RESUBMIT NOT REQUIRED
- NOT APPROVED
RESUBMIT AS REQUIRED

APPROVED BY :

NAME :
(CUSTOMER / CONSULTANT)

DATE :

PROJECT TITLE

DRAWING TITLE

Cooking Block

LOCATION / AREA	LEVEL
Kitchen Area	
SALES IN CHARGE	DATE
DRAWN BY RWP	DATE 13.02.2021
VERIFIED BY	DATE
APPROVED BY RWD	DATE
APPROVED BY	DATE

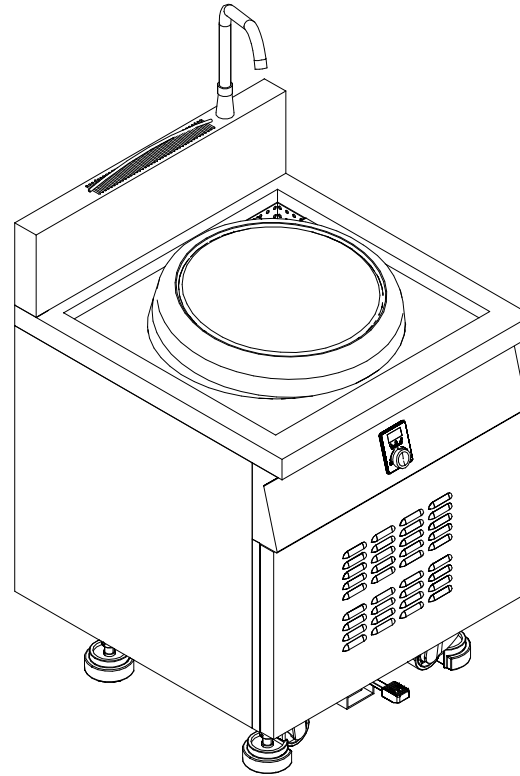
DRAWING NO.	SCALE
A4	1:15

REVISION			
NO.	DATE	SUBJECT	DRAWN
01	03-08-21	Revision 01	RWP
02	27-08-21	Revision 02	RWP

REMARKS :

PROJECT	AREA	DWG TYPE	REVISION

No-13, NEIWA 7-75 (PTY)



PT. NAYATI INDONESIA
 Jl. Terboyo no.15, Kawasan Industri Terboyo Megah Semarang 50112,
 Central Java - Indonesia
 Phone : (6224) 658 0573, Fax : (6224) 658 0572
 Email : nayati@nayati.com



this drawing remains the property of
 Design Solution PT. Nayati Indonesia
 may not be copied, photocopied or reproduce
 in any form whatever without permission

- APPROVED
- APPROVED WITH COMMENTS
RESUBMIT NOT REQUIRED
- NOT APPROVED
RESUBMIT AS REQUIRED

APPROVED BY :

NAME :
 (CUSTOMER / CONSULTANT)

DATE :

PROJECT TITLE

DRAWING TITLE

Cooking Block

LOCATION / AREA	LEVEL
Kitchen Area	
SALES IN CHARGE	DATE
DRAWN BY RWP	DATE 13.02.2021
VERIFIED BY	DATE
APPROVED BY RWD	DATE
APPROVED BY	DATE

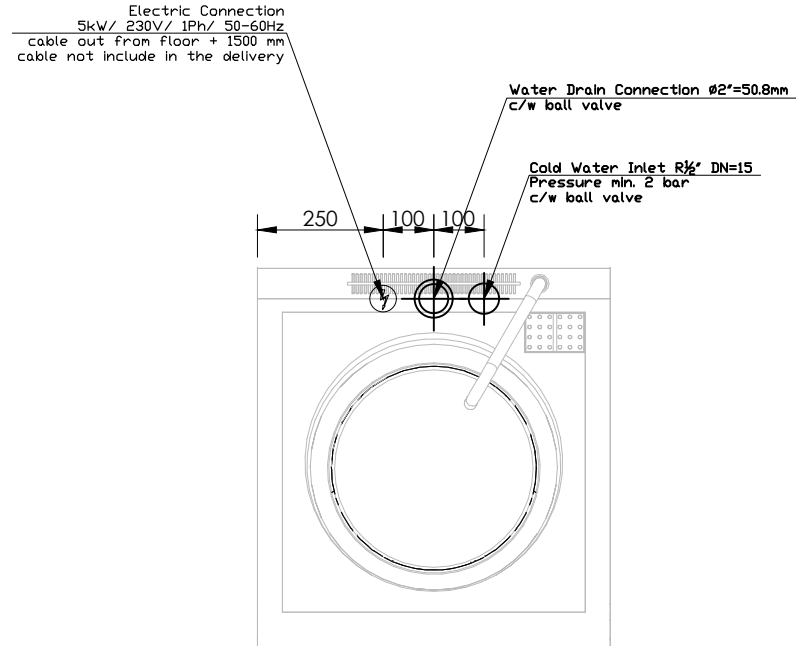
DRAWING NO.	SCALE
	A4 1:15

REVISION			
NO.	DATE	SUBJECT	DRAWN
01	03-08-21	Revision 01	RWP
02	27-08-21	Revision 02	RWP

REMARKS :

PROJECT	AREA	DWG TYPE	REVISION

No-13, NEIWA 7-75 (PTY)



PT. NAYATI INDONESIA
Jl. Terboyo no.15, Kawasan Industri Terboyo Megah Semarang 50112,
Central Java - Indonesia
Phone : (6224) 658 0573, Fax : (6224) 658 0572
Email : nayati@nayati.com



this drawing remains the property of
Design Solution PT. Nayati Indonesia
may not be copied, photocopied or reproduce
in any form whatever without permission

- APPROVED
- APPROVED WITH COMMENTS
RESUBMIT NOT REQUIRED
- NOT APPROVED
RESUBMIT AS REQUIRED

APPROVED BY :

NAME :
(CUSTOMER / CONSULTANT)

DATE :

PROJECT TITLE

DRAWING TITLE
Cooking Block

LOCATION / AREA	LEVEL
Kitchen Area	

SALES IN CHARGE	DATE
-----------------	------

DRAWN BY RWP	DATE 13.02.2021
-----------------	--------------------

VERIFIED BY	DATE
-------------	------

APPROVED BY RWD	DATE
-----------------	------

APPROVED BY	DATE
-------------	------

DRAWING NO.	SCALE
A4	1:15

REVISION			
NO.	DATE	SUBJECT	DRAWN
01	03-08-21	Revision 01	RWP
02	27-08-21	Revision 02	RWP

REMARKS :

PROJECT	AREA	DWG TYPE	REVISION

- APPROVED
- APPROVED WITH COMMENTS
RESUBMIT NOT REQUIRED
- NOT APPROVED
RESUBMIT AS REQUIRED

APPROVED BY :

NAME :
(CUSTOMER / CONSULTANT)

DATE :

PROJECT TITLE

DRAWING TITLE

Cooking Block

LOCATION / AREA	LEVEL
Kitchen Area	

SALES IN CHARGE	DATE

DRAWN BY	DATE
RWP	13.02.2021

VERIFIED BY	DATE

APPROVED BY RWD	DATE

APPROVED BY	DATE

DRAWING NO.	SCALE
	A4 1:15

DRAWING NO.	SCALE
	A4 1:15

DRAWING NO.	SCALE
	A4 1:15

REVISION

NO.	DATE	SUBJECT	DRAWN
01	03-08-21	Revision 01	RWP
02	27-08-21	Revision 02	RWP

REMARKS :

PROJECT	AREA	DWG TYPE	REVISION

PROJECT	AREA	DWG TYPE	REVISION

PROJECT	AREA	DWG TYPE	REVISION

FILE : D:\Gourmet Master & MasterChef Cook\Gourmet Master\Gourmet Master 2021

